

Heavy Duty Oilfield Pump



Model 4456H

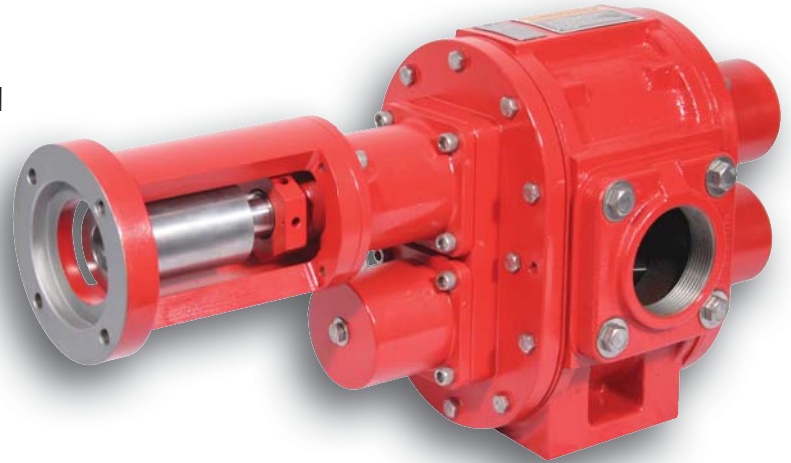
THE LEADING FORCE behind liquids™ since 1857

Tank truck pumps for fleets hauling crude oil, condensate, well treatment chemicals, produced water, waste oil, and other abrasive liquids

500 GPM Max (1893 l/m) ■ 100 PSI Max (6.9 bar)
1000 RPM Max ■ 196 LBS (89 kg)

MATERIALS OF CONSTRUCTION

Housing..... Cast Iron
Gears..... Hardened Steel
Shafts Hardened Steel
Seal Cartridges Bronze



FEATURES:

MOUNTING AND DRIVE OPTIONS

- PTO shaft drive or hydraulic motor drive available
- Integral hydraulic motor mounts for SAE B or SAE C size motors
- 4" and 3" NPT port flanges available
- Interchangeable with other commonly used pumps
- Driveshaft can be driven from top or bottom position.

LUBRICATION OPTIONS

- Grease zerks contain relief valves to prevent over-greasing.
- Optional air pressurized oiler system available
- Oil canister holds 3.36 liters to reduce fill frequency.
- Adjustable air regulator with gauge ensures optimal oil flow.

LONG LASTING QUALITY BUILT IN

- Hardened gears
- Hardened steel shafts are precision ground to provide maximum life.
- Four heavy duty ball bearings give positive support to pumping gears to ensure long, efficient service.
- Large shaft diameters minimize shaft deflection at higher operating pressures.

DESIGNED TO REDUCE DOWNTIME AND REPAIR COSTS

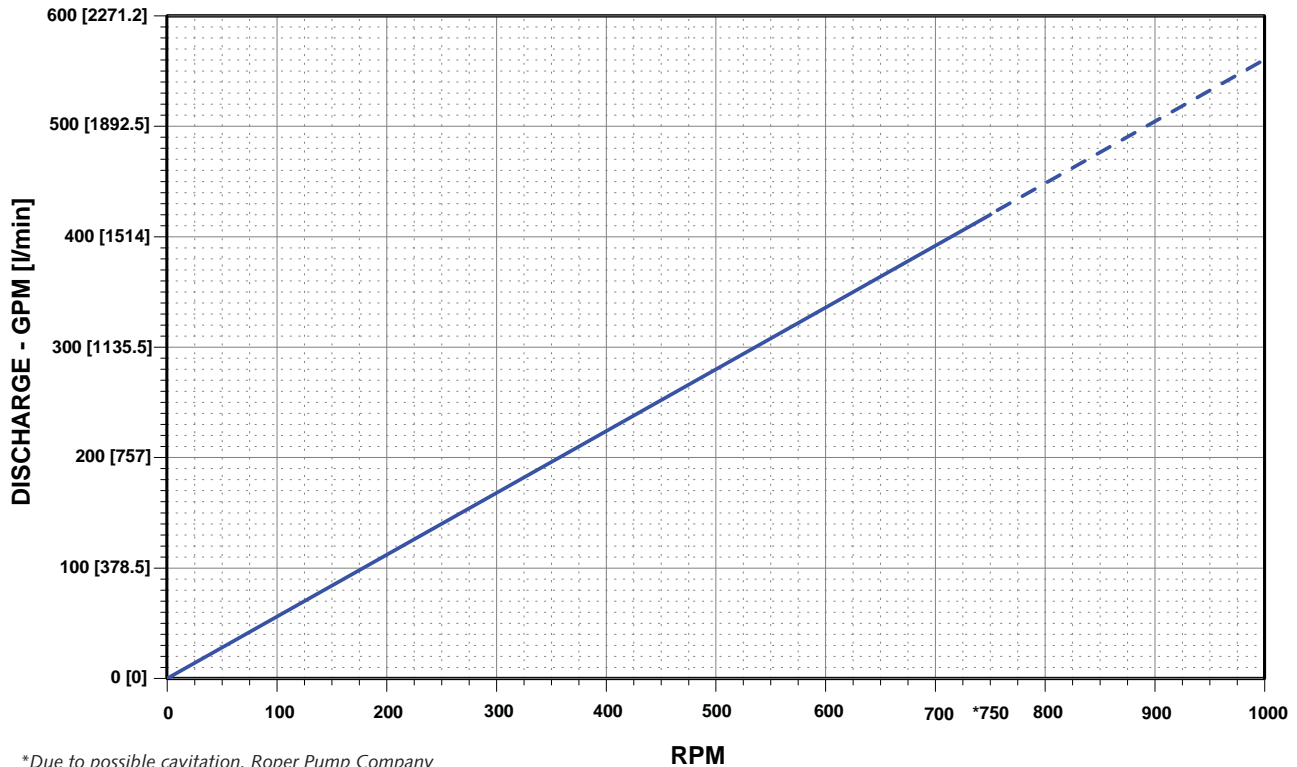
- Packing back-up allows pump to keep running after a drive seal failure.
- Wear plates used to protect the endplates are reversible.
- Unique seal spacer ring allows a replacement seal to run on an unworn area of the original shaft, thereby doubling shaft life.
- Seal cartridges, made from bronze, act as a bushing in the event of a bearing failure.

EASE OF MAINTENANCE

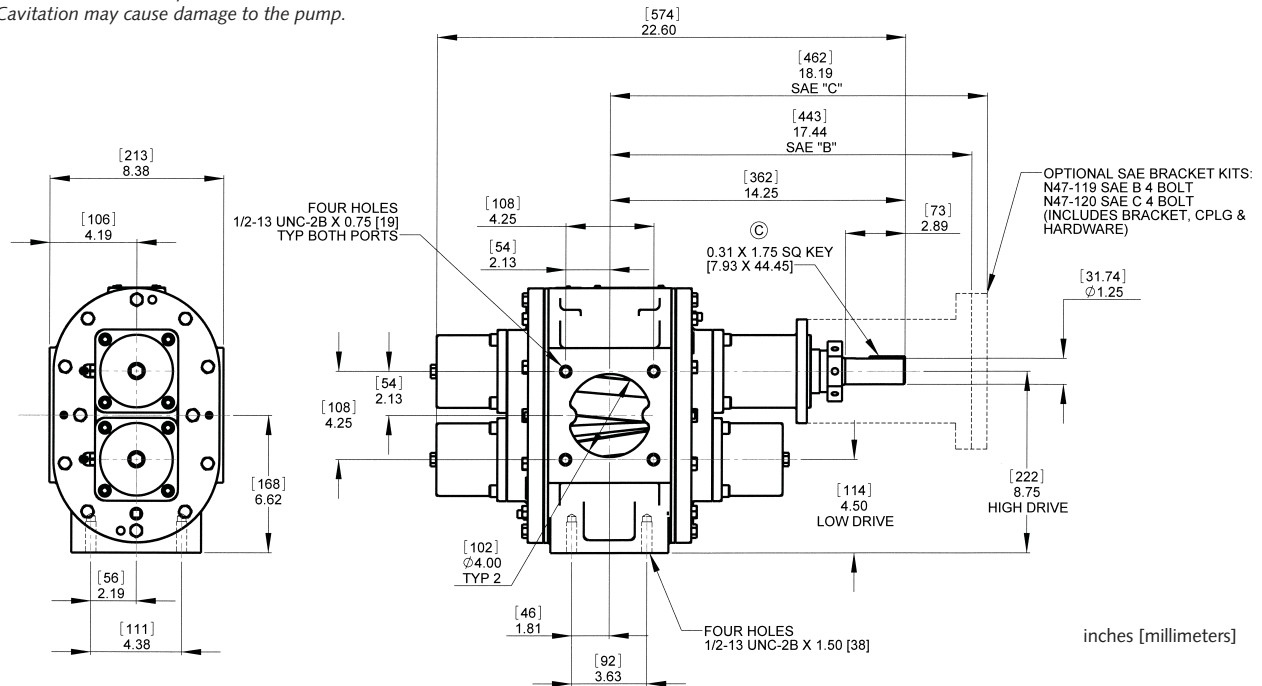
- 3 different levels of repair kits available
- Quick-fit seal cartridges offer one step seal replacement.
- Pump can be rebuilt without disturbing pipe work or foot mounting.
- Parts commonality reduces inventory requirements.

Heavy Duty Oilfield Pump 4456H

THEORETICAL GPM



*Due to possible cavitation, Roper Pump Company does not recommend speeds above 750 RPM. Cavitation may cause damage to the pump.



Consult your local Roper Pump distributor or Roper Pump Company for additional information.

Manufactured in the USA



Roper Pump Company • P.O. Box 269 • Commerce, GA 30529 USA
 Customer Service: 706-336-3359 • Technical Support: 706-336-3334 • Fax: 706-335-5490
 sales@roperpumps.com • www.roperpumps.com

© 2009 by Roper Pump Company
 Roper Pumps® is a registered trademark of Roper Pump Company.
 THE LEADING FORCE behind liquids™ is a trademark of Roper Pump Company.