

3600 Series NOMENCLATURE

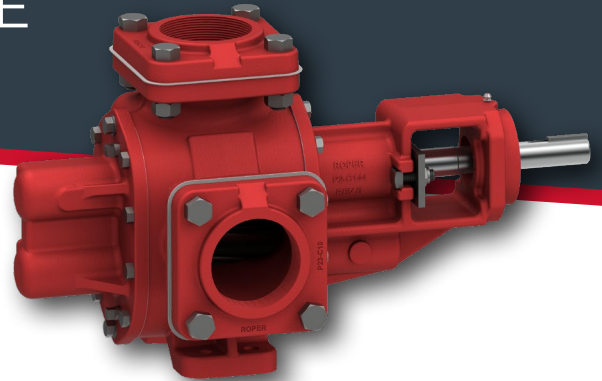


Figure (Model Number)

The first digit (3) indicates the port arrangement.

- 3 = 3600 Series with right angle ports
- 4 = 4600 Series with straight through ports

The second digit (6) indicates shaft sealing.

- 2 = Triple Lip Seal + back-up packing
- 4 = Quad Seal (2) + back-up packing
- 5 = Triple Lip Seal or "standard" Cartridge Seal
- 6 = Packing
- 7 = Mechanical Seal or any non-standard Cartridge Seal

The third and fourth digits (11) indicate the approximate theoretical displacement in U.S. gallons per 100 revolutions. *Gallons/100 Rev. [Liters/100 Rev.]*

- | | | |
|-------------|--------------|--------------|
| • 11 [41.6] | • 32 [121.1] | • 48 [181.7] |
| • 17 [64.4] | • 35 [132.5] | • 58 [219.6] |
| • 22 [83.3] | • 43 [162.8] | • 65 [246.0] |

450°F
(UP TO)

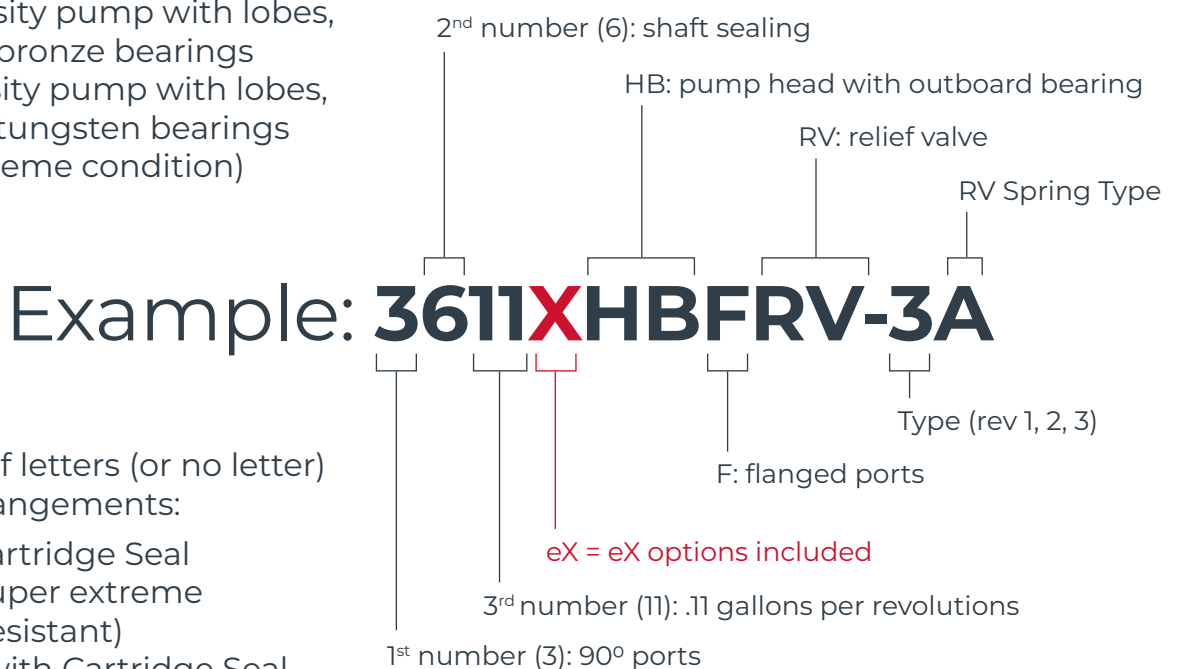
125 PSI
(UP TO)

11
SIZES AVAILABLE

B. Special Model Options

The letter(s) are only used for special models as indicated:

- CPB – Multi viscosity pump with lobes, timing gear, and bronze bearings
- CPT – Multi viscosity pump with lobes, timing gear, and tungsten bearings
- X – eX pump (extreme condition)



The letter or group of letters (or no letter) indicates special arrangements:

- C – Pump with Cartridge Seal
- E – EVO pump (super extreme condition, wear resistant)
- EC – EVO pump with Cartridge Seal

C. Pump Head Arrangement

The letter or group of letters indicates the pump head arrangement:

- BH – NO outboard bearing used for close coupled hydraulic drive using a rigid coupling
- GHB – with outboard bearing and built-on gear reduction unit attached
- GHBO – with outboard bearing and provisions for built-on gear reduction unit but not attached
- H – NO outboard bearing
- HB – with outboard bearing

The letter (or no letter) indicates mounting:

- M – Pump mounted on base (GHB, H, or HB) or mounted with SAE hydraulic bracket kit (BH)

On GHB pumps, the letter (O) indicates pump with outboard bearing and auxiliary mounting provisions (does not include built-on gear reduction unit).

D. Case Port Style

The letter (F or A) indicates port style.

- No letter = Pump with threaded ports
- F = Pump Case for use with Roper standard flanges (flanges attached is standard)
- A = Pump Case with flange facings to accept ANSI flanges (only in 17 and 22 size)

E. Faceplate

The letters (RV) indicate type of faceplate installed on pump.

- RV = single direction relief valve faceplate (Standard RV, Jacketed RV)
- BV = bi-directional relief valve faceplate
- No Letters = Plain Faceplate

F. Rotation Direction & Shaft Position

The letter or group of letters (X, LX) indicates direction of rotation, case orientation, and shaft position.

HIGH DRIVE:

- W or no letter – Clockwise (standard)
- X – Counterclockwise
- Y – Clockwise
- Z – Counterclockwise

LOW DRIVE:

- LW – Clockwise
- LX – Counterclockwise
- LY – Clockwise
- LZ – Counterclockwise

G. Spec

A group of letters and/or numbers to signify options used in that specific pump. If a spec is not used, the pump is considered to have “standard” options for that series.

H. Type & Relief Valve

The TYPE number is a number used by Roper Pump Company for in-house identification of construction. Always include the type number in any references to the pump.

- A = standard pressure
 - 20-80 PSI in 11, 17, 22 size
 - 20-45 PSI in 32, 35, 43, 48, 58, 65 size
- B = high pressure
 - 81-125 PSI in 11, 17, 22 size
 - 46-125 PSI in 32, 35, 43, 48, 58, 65 size

J. GHB

Only if the pump is GHB, the next letters are gear ratio (*if pump not GHB, omit these ratios*):

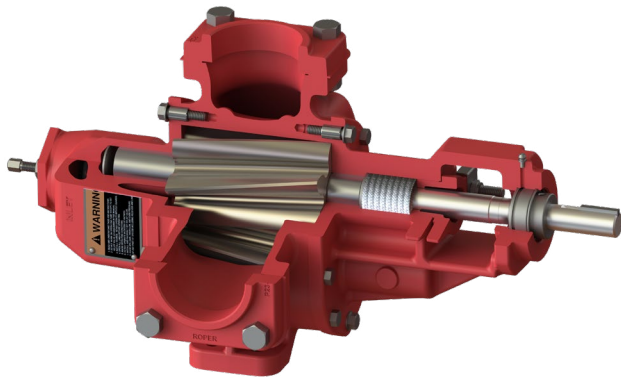
- 320 = 3.20:1 for 11, 17, or 22 size
- 394 = 3.94:1 for 11, 17, or 22 size
- 426 = 4.26:1 for 32, 35, 43, 48, 58, or 65 size
- 460 = 4.60:1 for 11, 17, or 22 size
- 488 = 4.88:1 for 32, 35, 43, 48, 58, or 65 size
- 566 = 5.66:1 for 32, 35, 43, 48, 58, or 65 size

K. Serial Number

The SERIAL number is a unique number assigned to each pump built by Roper Pump Company.

Communications

In any communication concerning this pump, ***always be sure to include the Figure, Spec, Serial, and Type numbers*** so proper identification of the pump can be assured.



Sizes Available

(gallons per revolution)

- 11 – 11 Gal/100 Rev [41.6 L/100 Rev]
- 17 – 17 Gal/100 Rev [64.4 L/100 Rev]
- 22 – 22 Gal/100 Rev [83.3 L/100 Rev]
- 32 – 32 Gal/100 Rev [121.1 L/100 Rev]
- 35 – 35 Gal/100 Rev [132.5 L/100 Rev]
- 43 – 43 Gal/100 Rev [162.8 L/100 Rev]
- 48 – 48 Gal/100 Rev [181.7 L/100 Rev]
- 58 – 58 Gal/100 Rev [219.6 L/100 Rev]
- 65 – 65 Gal/100 Rev [246 L/100 Rev]

Roper Pump Company

PO Box 269
Commerce, GA 30529 USA

Office: (706) 335-5551
Fax: (706) 335-5490

sales@roperpumps.com
www.roperpumps.com

Copyright © 2026 by Roper Pump Co.

Roper Pumps® and DuraTorque® are registered trademarks of Roper Pump Company.

THE LEADING FORCE behind liquids™ is a trademark of Roper Pump Company

DOC# PB-3600-SERIES-NOMENCLATURE-2026-REV1

DISCLAIMER

The information contained within this brochure and the functions offered is intended to provide information about products available for purchase from Roper Pump Company. All reasonable efforts have been made to ensure the accuracy of the information. Under no circumstances shall Roper Pump Company be liable to any party for any damage, whether direct, indirect, special or other consequential damages, for any use of, reference to or reliance on this brochure or its contents – including, but not limited to – any errors or unexpected un-fulfillment of shipments, any loss of profits, or business interruption. Roper Pump Company reserves the right to make changes to the brochure and the product functions at any time without notice.