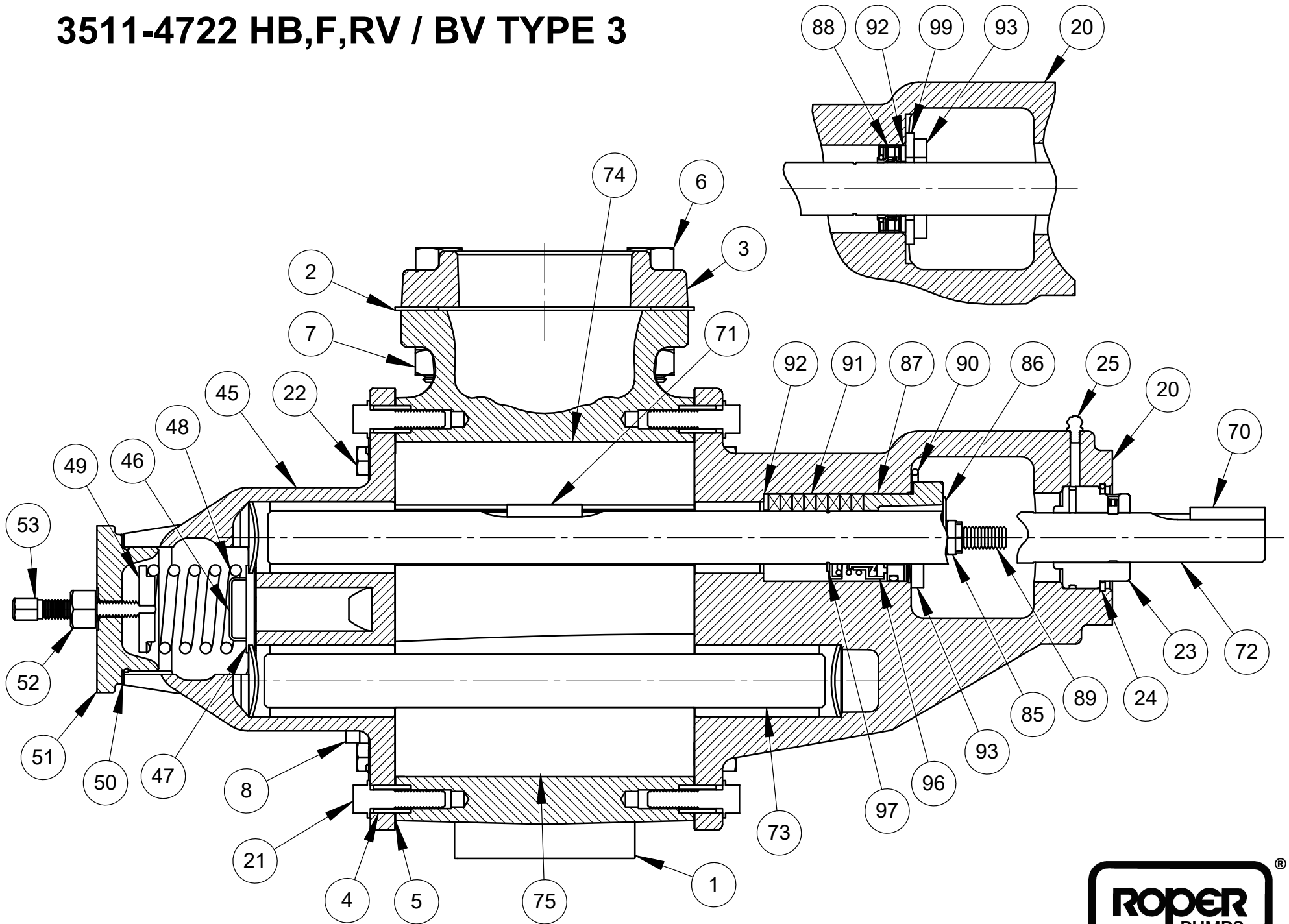


# 3511-4722 HB,F,RV / BV TYPE 3



### 3511-4722 HB,F,RV / BV

KEY NO.	DESCRIPTION	3511-4711		3517-4717		3522-4722	
		QTY	PART NO.	QTY	PART NO.	QTY	PART NO.
1	Case (3xxx HB)	1	P1-178	1	P1-177	1	N/A
	Case (3xxx HBF)	1	P1-401	1	P1-402	1	P1-175
	Case (4xxx HBF)	1	P1-170	1	P1-181	1	P1-171
2	Gasket, Flange	2	D11-333	2	D11-332	2	D11-90
3	Flange (3xxx)	2	P23-30	2	P23-12	2	P23-10
	Flange (4xxx)	2	P23-30	2	P23-35	2	P23-19
4	Dowel Pin	4	D48-34	4	D48-34	4	D48-34
5	Case Gasket	2	D11-338	2	D11-338	2	D11-338
6	Hex Hd Cap Screw	8	G49-050150	8	G49-050125	8	G49-062225
7	Nut, Flange		N/A		N/A	8	G44-062
8	Pipe Plug	2	G56-12	2	G56-12	4	G56-12
20	Backplate Asm, Brz Brgs	1	N2-403	1	N2-403	1	N2-403
21	Washer Hd Cap Screw	4	G49-24	4	G49-24	4	G49-24
22	Hex Hd Cap Screw	16	G49-037100	16	G49-037100	16	G49-037100
23	Ball Brg	1	G40-41	1	G40-41	1	G40-41
24	Ret Ring	1	G41-10	1	G41-10	1	G41-10
25	Lube Ftg	1	G63-1	1	G63-1	1	G63-1
45	Faceplate Asm, Plain, Brz Brgs	1	N3-177	1	N3-177	1	N3-177
	Faceplate Asm, RV, Brz Brgs	1	N3-200	1	N3-200	1	N3-200
	Faceplate Asm, BV, Brz Brgs	1	N3-780	1	N3-780	1	N3-780
46	Poppet	*	D16-16	*	D16-16	*	D16-16
47	Adapter	*	G8-281	*	G8-281	*	G8-281
48	Spring, Std Press	*	G10-355	*	G10-355	*	G10-355
	Spring, High Press	*	G10-375	*	G10-375	*	G10-375
49	Spring Guide	*	D8-348	*	D8-348	*	D8-348
50	Gasket, RV Cap	*	D828-41	*	D828-41	*	D828-41
51	RV Cap	*	P17-110	*	P17-110	*	P17-110
52	Nut, Lock & Seal	*	G43-18	*	G43-18	*	G43-18
53	Adjusting Screw	*	G62-44	*	G62-44	*	G62-44
70	Key, Drive	1	D30-9	1	D30-9	1	D30-9
71	Key, Gear	2	D30-9	2	D30-9	2	D30-9
72	Drive Shaft (Pkg, Mech)	1	D1-2072	1	D1-2073	1	D1-1998
	Drive Shaft (Lip)	1	D1-2932	1	D1-2935	1	D1-2938
73	Idler Shaft	1	D1-1098	1	D1-1100	1	D1-1077
74	Gear, LH Drive	1	P6-276	1	P6-274	1	P6-278
75	Gear, RH Idler	1	P6-275	1	P6-273	1	P6-277
85	Locknut	2	D441-755	2	D441-755	2	D441-755
86	Pkg Gland Clip (Pkg)	2	D42-1	2	D42-1	2	D42-1
87	Pkg Gland (Pkg)	1	P10-178	1	P10-178	1	P10-178
88	Triple Lip Seal (Lip)	1	G17-232	1	G17-232	1	G17-232
89	Sq Hd Bolt (Pkg)	2	G67-043250	2	G67-043250	2	G67-043250
	Sq Hd Bolt (Mech, Lip)	2	G67-043125	2	G67-043125	2	G67-043125
90	Spring Clip (Pkg)	1	D42-2	1	D42-2	1	D42-2
91	Pkg Set (Pkg)	1	N43-1	1	N43-1	1	N43-1
92	Pkg Washer (Pkg, Lip)	1	G8-246	1	G8-246	1	G8-246
93	Seal Retainer (Mech, Lip)	1	D23-252	1	D23-252	1	D23-252
96	Mech Seal (Mech)	1	G4-101	1	G4-101	1	G4-101
97	Ret Ring (Mech)	1	G41-76	1	G41-76	1	G41-76
99	Locator Ring (Lip)	1	D8-443	1	D8-443	1	D8-443

Backplate Asm includes Brz Brgs: (1) G5-257 and (1) G5-258

Faceplate Asm includes Brz Brgs: (2) G5-257

\*RV requires (1) each of Key 46 thru 53; BV requires (2) each of Key 46 thru 53

RV Asm, Brz Brgs (includes Key 45 thru 53): Std Press Spring = N7-250 / High Press Spring = N7-406

BV Asm, Brz Brgs (includes Key 45 thru 53): Std Press Spring = N7-901 / High Press Spring = N7-902