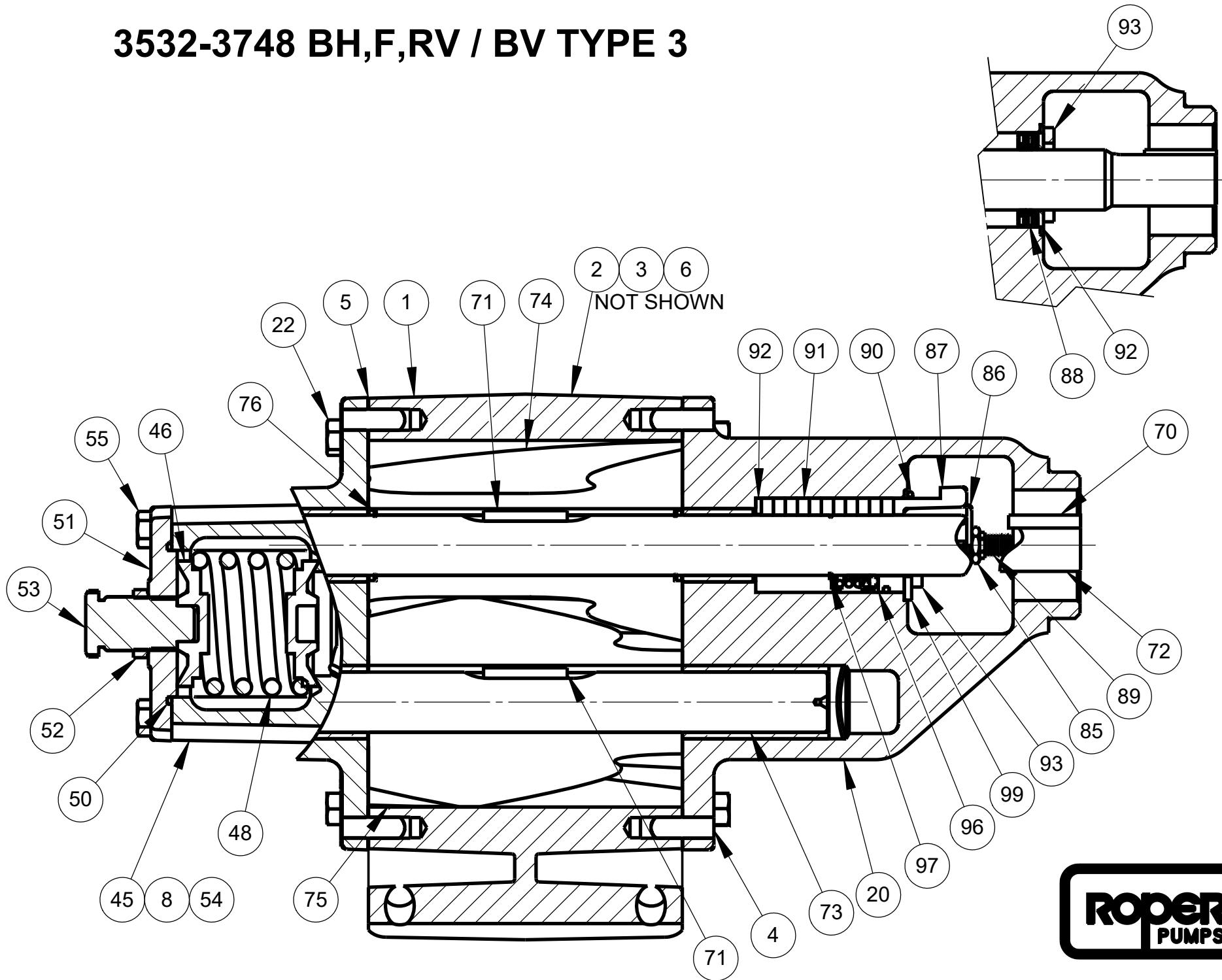


3532-3748 BH,F,RV / BV TYPE 3



3532 THRU 3748 BHF,RV

KEY NO.	DESCRIPTION	3632 & 3732		3643 & 3743		3648 & 3748	
		QTY	PART NO.	QTY	PART NO.	QTY	PART NO.
1	Case Asm	1	N22-223	1	N22-222	1	P1-481
2	Gasket, Flange	2	D11-612	2	D11-90	2	D11-90
3	Flange	2	P23-150	2	P23-10	2	P23-19
4	Dowel Pin	4	G48-49	4	G48-49	4	G48-49
5	Case Gasket	3	D11-397	3	D11-397	3	D11-397
6	Hex Hd Cap Screw	8	G49-062200	8	G49-062200	8	G49-062200
8	Pipe Plug	2	G56-12	2	G56-12	2	G56-12
20	Backplate Asm, Brz Brgs	1	N2-1340	1	N2-1340	1	N2-1340
22	Hex Hd Cap Screw, Plain, BV	16	G49-050150	16	G49-050150	16	G49-050150
	Hex Hd Cap Screw, RV	14	G49-050150	14	G49-050150	14	G49-050150
45	Faceplate Asm, Plain, Brz Brgs	1	N3-477	1	N3-477	1	N3-477
	Faceplate Asm, RV, Brz Brgs	1	N3-405	1	N3-405	1	N3-405
	Faceplate Asm, BV, Brz Brgs	1	N3-789	1	N3-789	1	N3-789
46	Poppet, RV	2	D16-112	2	D16-112	2	D16-112
	Poppet, BV	4	D16-112	4	D16-112	4	D16-112
48	Spring, Std Press	*	G10-383	*	G10-383	*	G10-383
	Spring, High Press (both req'd)	*	G10-386	*	G10-386	*	G10-386
	Spring, High Press (both req'd)	*	G10-383	*	G10-383	*	G10-383
50	"O" Ring, RV Cap	*	G14-485	*	G14-485	*	G14-485
51	RV Cap	*	P14-44	*	P14-44	*	P14-44
52	Nut, Lock & Seal	*	G33-6	*	G33-6	*	G33-6
53	Adjusting Screw	*	D15-42	*	D15-42	*	D15-42
54	Nut, RV only	1	G44-050	1	G44-050	1	G44-050
55	Hex Hd Cap Screw, RV	2	G49-050600	2	G49-050600	2	G49-050600
	Hex Hd Cap Screw, BV	6	G49-050125	6	G49-050125	6	G49-050125
70	Key, Drive	1	D30-216	1	D30-216	1	D30-216
71	Key, Gear	2	D30-10	2	D30-10	2	D30-10
72	Drive Shaft (Pkg, Mech)	1	D1-2690	1	D1-2691	1	D1-2435
	Drive Shaft (Lip)	1	D1-2952	1	D1-2952	1	D1-2952
73	Idler Shaft	1	D1-2686	1	D1-2676	1	D1-2087
74	Gear, RH	1	P6-478	1	P6-479	1	P6-385
75	Gear, LH	1	P6-476	1	P6-474	1	P6-383
76	Ret Ring	2	G41-119	2	G41-119	2	G41-119
85	Locknut	2	G43-12	2	G43-12	2	G43-12
86	Pkg Gland Clip (Pkg)	2	D42-4	2	D42-4	2	D42-4
87	Pkg Gland (Pkg)	1	P10-179	1	P10-179	1	P10-179
88	Triple Lip Seal (Lip)	1	G17-234	1	G17-234	1	G17-234
89	Sq Hd Bolt (Pkg)	2	G67-050300	2	G67-050300	2	G67-050300
	Sq Hd Bolt (Mech, Lip)	2	G67-050125	2	G67-050125	2	G67-050125
90	Spring Clip (Pkg)	1	D42-3	1	D42-3	1	D42-3
91	Pkg Set (Pkg)	1	N43-3	1	N43-3	1	N43-3
92	Pkg Washer (Pkg, Lip)	1	G8-249	1	G8-249	1	G8-249
93	Seal Retainer (Mech, Lip)	1	D23-267	1	D23-267	1	D23-267
96	Mech Seal (Mech)	1	G4-112	1	G4-112	1	G4-112
97	Ret Ring (Mech)	1	G41-155	1	G41-155	1	G41-155
99	Seal Locator Ring (Mech)	1	D8-444	1	D8-444	1	D8-444

Backplate Asm includes Brz Brgs: (1) G5-264 and (1) G5-265

Faceplate Asm includes Brz Brgs: (2) G5-265

*RV requires (1) each of Key No. 48 thru 53; BV requires (2) each of Key No. 48 thru 53

RV Asm, Brz Brgs (includes Key No. 45 thru 54): Std Press Spring = N7-487 / High Press Springs = N7-488

BV Asm, Brz Brgs (includes Key No. 45 thru 53 + 55): Std Press Spring = N7-909 / High Press Springs = N7-910